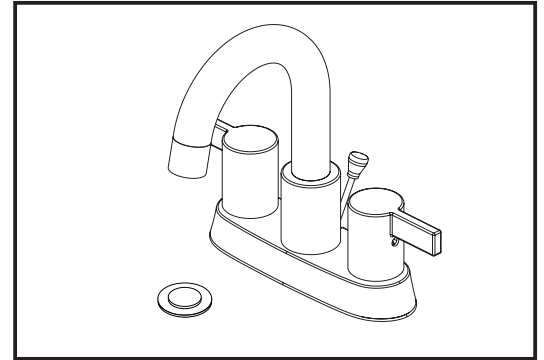
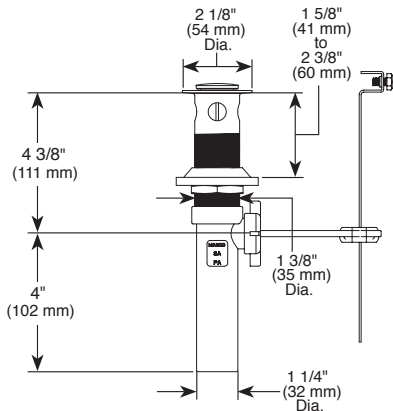


RP38958▲  
50/50 Pop-Up



## BATHROOM FAUCET:

- Two Handle Deck Mount
- Two Handle Centerset
- 4 Inch 3 Hole Sink Applications

## STANDARD SPECIFICATIONS:

- Maximum flow rate 1.0 gpm @ 60 PSI, 3.8 L/min @ 414Kpa.
- Two handle lavatory faucets for exposed 3 hole mounting with 4" centers.
- 4" (102 mm) long fixed spout.
- Hot and cold stems are interchangeable.
- All operating parts are replaceable from the top.
- 1/4 turn handle stops.
- Control mechanism is a rotating cylinder type with stainless steel plate and 90° rotation, with replaceable non-metallic seats.
- Models have 50 / 50 pop-up drain assembly.

## WARRANTY

- Parts and Finish - Lifetime limited warranty; or for commercial purchasers, 10 years for multi-family residential (apartments and condominiums) and 5 years for all other commercial uses, in each case from the date of purchase.



## COMPLIES WITH:

- ASME A112.18.1 / CSA B125.1
- ASME A112.18.2 / CSA B125.2

- ♿ Indicates compliance to ICC / ANSI A117.1 - Valve control only
- EPA WaterSense®